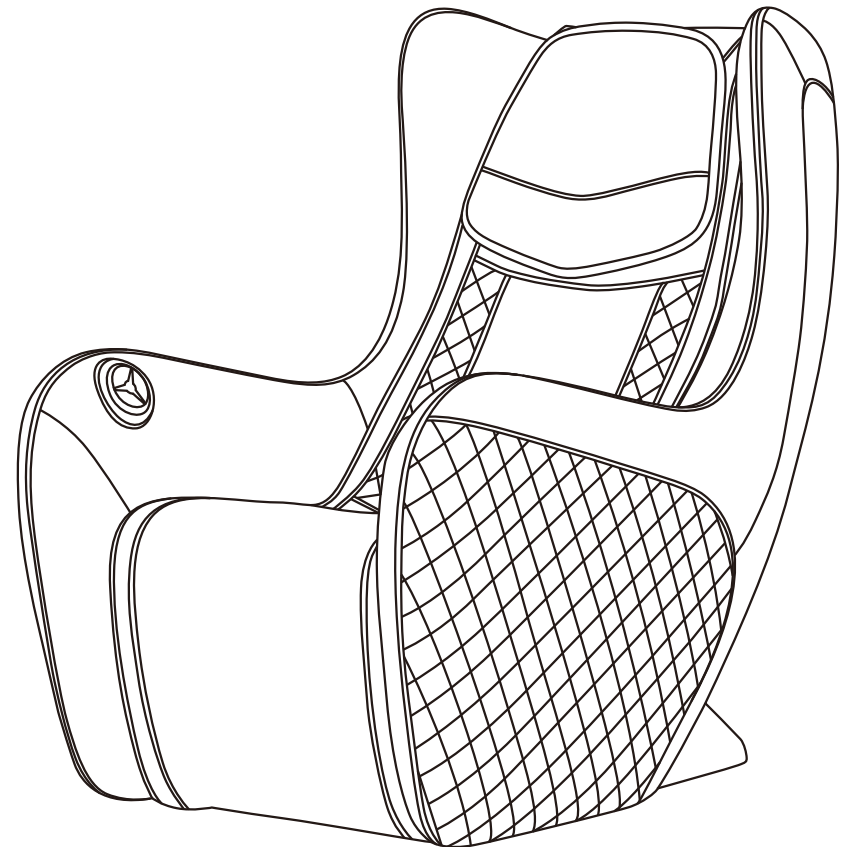


A1501-2 MASSAGE CHAIR

OPERATION INSTRUCTIONS

SAVE THESE INSTRUCTIONS



※Products refer to the actual product, without prior notice.

Note: Our company reserves the right to change and explain the design of the product. If there is some difference between the product function in market circulation and the description in the manual, it is a normal update of the product, and our company will not inform you otherwise. The specific product function and color shall prevail in kind.

TABLE OF CONTENTS

| | |
|--|----|
| Safety and Maintenance | 02 |
| Safety | 04 |
| Name of Components | 06 |
| Function | 07 |
| Remote Controller | 07 |
| Method of Usage | 08 |
| Product Specification | 10 |
| Microfiber features , maintenance and cleaning | 11 |
| PU leather maintenance and cleaning | 12 |

Safety and Maintenance

1. Important Safety Warnings



Keep children away from the movable part of this product.
Use the well-grounded power supply unit suitable for this product.
Pull out the plug after use or before cleaning to avoid any physical injury or damage to the product.
Operate this product as instructed in this manual.
Do not use any parts or accessories which are not recommended.
Do not use this product outdoors.
Please read the Operation Instructions carefully before operation.
Never use this product for any other purpose not listed herein.
20 minutes of usage each time is recommended.
Do not use this product if the leather is broken or damaged.
Do not use this product if the cover or leather is broken or damaged.
Do not use this product if the radiator hole is covered or blocked.
Do not drop anything into this product.
Never fall asleep while using this product.
Do not use this product if you are drunk or feel unwell.
Do not use this product within one hour after a meal.
Do not use this product with excessive force to avoid any injury.
Do not carry any fragile, explosive, or combustible material in your pocket, such as a mobile phone and lighter when using the massage chair.

2. Operating Environment

Do not use this product in a very moist environment such as the bathroom.
Stop using this product immediately when the ambient temperature changes sharply.
Do not use this product in any heavily-dusty or caustic environment.
Do not use this product in a small space or a place without good ventilation.
The normal room temperature ranges from 0 C to 35 C.
Do not use this product in an excessively humid room such as a bathroom. Use it at a relative humidity between 20% and 80%.
Do not use this product outdoors.
Avoid direct sunlight.
Keep this product away from any heat source such as a stove and air outlet of an air conditioner.
Do not use this product during thunder or lightning weather.
Do not use this product in dusty places.

3. The following populations should not use this product:

Patients with osteoporosis.
Patients with heart disease or wearing electronic medical devices such as a pacemaker.
People who have a fever.
Pregnant women or women on their menstrual period.
Patients who are injured or have a skin disease.
When unsupervised, any children are under the age of 14 and those unconscious are not allowed to use this product.
People who are told by their physicians to have rest or who feel unwell.
People whose bodies are wet are forbidden to use this product.
This product has a hot surface. Persons insensitive to heat must pay attention when using this product.

4. Safety Precautions

Check whether voltage is consistent with the specification of this product.

Safety and Maintenance

Never insert or pull out the plug with a wet hand.
Do not let water flow into this product to avoid electric shock or cause damage to this product.
Do not pull the power cord when plugging or unplugging it. Rough handling is forbidden.
Do not damage the wire or modify the circuit of this product.
Do not clean live parts of this product with a wet cloth such as a power switch and plug.
Be away from this product in case of power failure to avoid any injury if power is restored suddenly.
Stop using this product at once while it works abnormal, and consult your local supplier.
Stop using this product if you feel unwell, and consult your health care practitioner.
This product is not intended for use by persons (including children) with reduced physical, sensory or mental capabilities, or lack of experience and knowledge, unless they have been given supervision or instruction concerning the use of this product by the personnel responsible for their safety. Children should be supervised to ensure that they do not play with this product.
If the power cord is damaged, it must be replaced by the manufacturer, its service agent or similarly qualified staff in order to avoid hazards.

5. Product Service and Maintenance

This product should be maintained by the service center designated by the manufacturer only. No user should disassemble or maintain it without permission.
Do not forget to turn off the main power switch after usage.
Do not use this product if the power socket becomes loose.
If this product will be left unused for a long period of time, it is necessary to roll up the power cord of this product and store this product in a dry and dust-free environment.
Do not store this product at a high temperature or near open flame. Avoid prolonged exposure to direct sunshine.
Please clean this product with dry cloth. Never use thinner, benzene or alcohol.
The mechanical components of this product are specially designed and manufactured, so no special maintenance is needed.
Do not use a sharp object to stab at this product.
Do not roll or pull this product on any uneven ground. Instead, it should be lifted before moving.
Please use this product intermittently. Do not keep it working continuously for a long period of time.

6. Solutions to Ordinary Malfunctions

If the motor sounds during operation of this product, this is the normal operation sound.
If the controller cannot work normally, check whether the plug and the power socket are connected reliably, and whether the power switch is turned on.
If the rated working time is over, this product will automatically activate the power-off button; if this product keeps operating for a long period of time, the temperature protector will stop this product automatically. The product can be used again after half an hour.

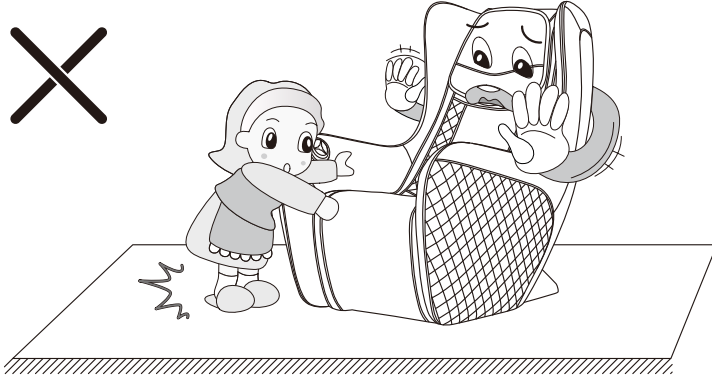
7. Storage Conditions

Storage room temperature: -5 C to 35 C.
Relative humidity (RH) between 20% and 80%; free of corrosive gases, and a well-ventilated room.

Safety Warning

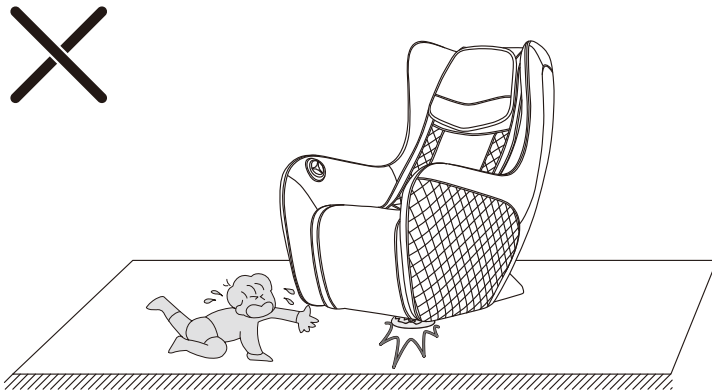
⚠ Warning

· The massage chair is light, It is strictly forbidden for children to climb or step on it , otherwise it will cause the product to roll over and fall .To avoid product damage or



⚠ Warning

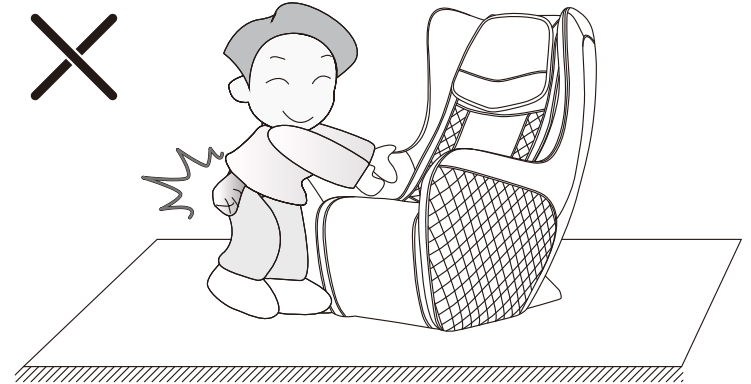
· When using the massage chair , please pay attention to the child's extending the massage chair into the bottom gap , or other hard objects in the bottom gap , so as to avoid product damage or injury during the massage process .



Safety Warning

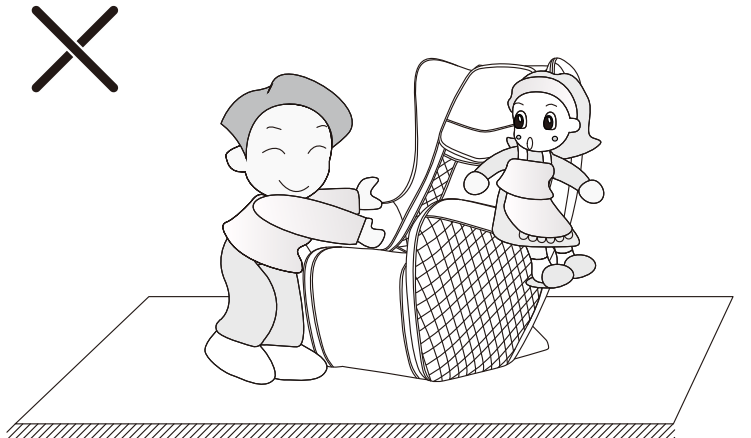
⚠ Warning

· Before using the massage chair , please remove the hard objects in the bag or the accessories you carry with you before entering the massage chair , (Such

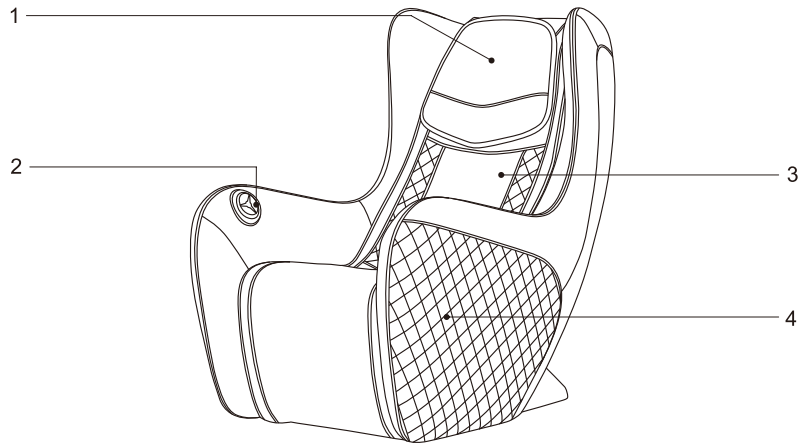


⚠ Warning

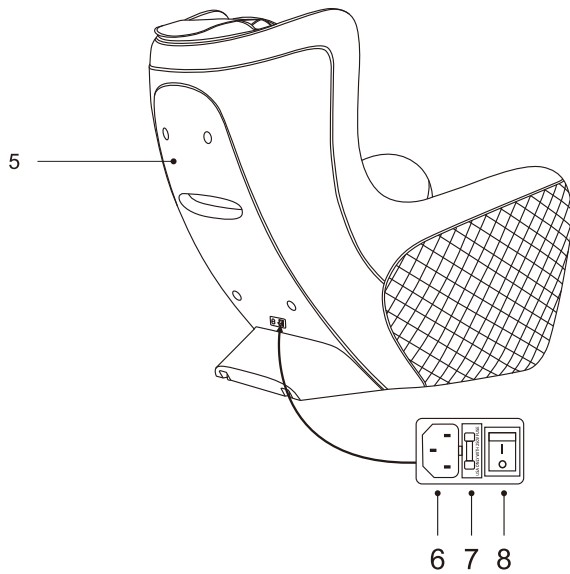
· When using the massage chair , please do not use it for more than two hours to avoid product failure or injury .In addition , please do not let children play on the massage chair , or climb on the back or the armchair . Otherwise , accidents or injuries may be caused .



Name of Components



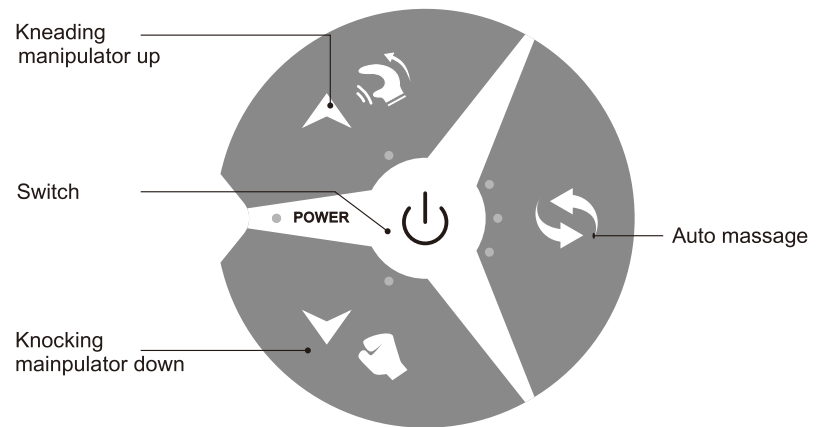
- 1. Headcushion
- 2. Remoteboard
- 3. Backcushion
- 4. Armrest
- 5. Backcover
- 6. Powerinput
- 7. Fusebox
- 8. Power switch



Function

- Massage mechanism is four-wheel driven, muted design can move up and down.
- Designed with 3 kinds simulation massage models: kneading, tapping, sync with kneading and tapping.
- Set with automatic massage function: whole body, upper body and lower body.
- Choose your favorite massage point by manual, with two-directional kneading, unidirectional kneading, two speeds knocking to choose
- The back guide rail adopts the curve guide rail technology , which fully fits the back curve of the body , and can enjoy sticking from the head to the legs massage .
- Mechanical shutdown and dynamic reset function .

Remote board



Method Of Usage

1.Switch on the machine



2.Start to massage

①、Press the red button to start massage. Enter to whole body massage model to massage automatically .

| Button | Function | Description | Deescription of indicator Status | |
|--------|---------------------------|--|----------------------------------|--|
| | Switch | Turn On /off the massage chair | Flashing | Standby state |
| | | | Constand light | Power on default is full massage ,Two-directional kneading and weak -level tapping |
| | Kneading manipulator up | Short press: switch off or change kneading method Long-press: Move the machine up , change to point mode at the same time ,loose the hands and stop moving | Flashing | Two-directional kneading |
| | | | Constand light | one-directional kneading |
| | | | Off | Turn off kneading function |
| | Knocking mainpulator down | Long press : downward the manipulator, change to fixed point mode at hte same time , release hand stop the moving Short press :Turn n / off or change knocking strength | Flashing | weak level |
| | | | Constand light | strong level |
| | | | Off | Turn off knocking function |
| | | | / | / |
| | Auto massage | Change to auto mode : upper , middle and the lower pointing lights correspind to the upper body , whole body and lower body | upper body | upper body massage |
| | | | whole body | whole body massage |
| | | | lower body | lower body massage |

Method Of Usage

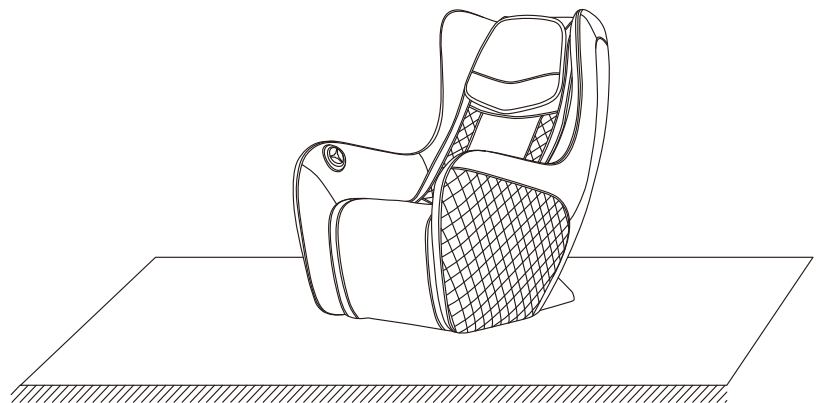
3.Turn off power, stop massage

- ①、 In massage process, press red button, or the time is out, all the massage function will stop, and the massage hand restore
- ②、 After the restoration, turn off the power.



4.Floor protection

Put the heavy massage chairs on the wood floor for a longtime may damage the floor, so please place a carpet or other object to avoid this damage.

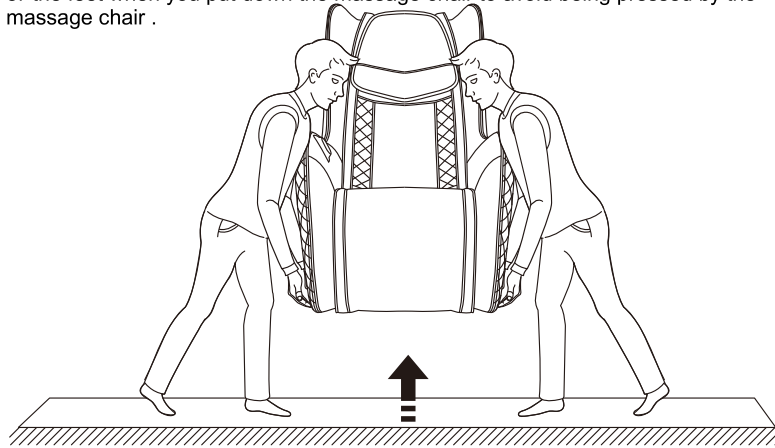


Caution: Do not move the chairs with its casters on bumpy ground or in a narrow space. Two people are required to lift the chair, and main lift point on the front cover board and back cover for moving.

Method Of Usage

5. Instruction for Movement

· When moving , first make sure that all wires are removed from the massage chair , and then hold the massage chair , and thhold the massage chair on both sides lower edges , lift up the massage chair to move . Lift the massage chair to the right position and put it down gently massage chair , please pay attention to the position of the feet when you put down the massage chair to avoid being pressed by the massage chair .



· Attention : When moving , be sure to turn off the power switch before unplugging the power cord .

Product Specification

Model: A1501-2

Name: Massage Chair

Rated voltage: 110-120V~ 60Hz
 220-240V~ 50Hz/60Hz

Rated power: 40W

Rated time: 20min

Safety structure: Class I

Material description: PVC , PA , Steel parts and electrical components

| MATERIAL | PU | LEATHER | CLOTH | WOOD |
|----------|----|---------|-------|------|
| | | | | |

Feature , maintenance and cleaning of Microfiber

The full name of microfiber is “ microfiber reinforced PU ” , also known as Zaiye , which is a new kind of synthetic fiber , which is a new kind of synthetic fiber , the research and development of high level of PU , it has excellent wear resistance , excellent permeability , chemical resistance and softness comfortable and flexible , The super fiber is the best fabric , The texture is similar to the real fabric , and it feels soft . Because of its advantages of wear resistance , cold resistance , permeability , chemical resistance , soft texture and beautiful appearance , it has become a nature substitute , However , it is an ideal choice for us .

■ Maintenance method:

1. It must be kept in the place of empty circulation ;
2. Do not let the furniture be exposed to the sun , if the surface is wet , it must be cleaned with a cloth and put in a cool and dry place ;
3. The stains or other marks on the surface should be even , . Wipe the surface of the stains lightly with a cloth , but it must be avoided ;
4. Make a small amount of baby care solution regularly , let it permeate this kind of solvent , and then wipe the surface to make it shine again .

■ Cleaning method:

1. Don't use gasoline to clean with water or detergent ;
2. It can't be washed ;
3. It can only be washed , and the washing temperature should not exceed 40°C .
4. It should not be exposed to the sun ;
5. It should not contact with some organic solvents ;
6. PU coat needs to be bagged for collection , and can not be folded .

Maintenance and cleaning of PU leather

PU synthesis is made of polyurethane resin by coating , drying and curing . It has better acid and alkali resistance , heat resistance , light exposure resistance and other properties compared with the true phase. However due to its physical and chemical properties , it should be avoided to be placed in the environment with dust , temperature , humidity , low temperature , strong light exposure and containing acid-base agent solution , otherwise it is easy to crack , accelerate the decomposition and decomposition .

■ Cleaning method and precautions for PU leather :

1. Do not use organic reagents , oil solutions and compounds , especially strong solvents , such as : alcohol , turpentine , tenna clean the PU meter , otherwise it will corrode the pu meter ;
2. Do not use cleaning or washing powder to scrub the PU surface , which is easy to produce cracks ;
3. Should choose PH value : namely PH value =5-7 range , does not contain the friction agent , does not pollute the environment the cleaner to clean PU surface ;
4. For the dirty PU surface , wipe the dirt with a soft cloth and egg white to avoid to use brush to clean ;
5. The better cleaners on the market are : meiwang cleaning agent , nursing agent , amway cleaning agent etc .

■ Maintenance methods and precautions of PU leather :

1. To ensure the ventilation in the room , too dry or wet will accelerate the drying ;
2. Don't put the sofa on the ground that the sun can directly reach , and don't put it on the ground that the air conditioner blows directly to , otherwise , it will harden , direct sunlight will make the PU surface fade ;
3. In summer , the body is sweating , the pores of the PU will absorb sweat , and the temperature and humidity will make the organic matter in the sweat mix with the water , it is easy to produce peculiar smell due to chemical reaction . In this regard , frequently wipe with a slightly wet cloth ;
4. When cleaning the sofa , do not use alkaline detergent , because it is acid treatment in the process of preparation , the alkalinity will reduce the softness and wrinkle the fabric during the preparation .